

316 Stainless Steel Boat Mooring Bollard



Bit For Marine

POWER MARINE is a professional leader China 316 Stainless Steel Boat Mooring Bollard Bit For Marine manufacturer with high quality and reasonable price. We have been specialized in marine hardware for more than 25 years. Our product is made of

316 stainless steel, which has good corrosion resistance. We can provide high quality products and competitive prices, and we look forward to becoming your long-term partner in China. Welcome to contact us.

316 Stainless Steel Boat Mooring Bollard Bit For Marine

Product Introduction

POWER MARINE is a professional and leading manufacturer of 316 Stainless Steel Boat Mooring Bollard Bit For Marine in China, with high quality and reasonable price. The Bollard is to provide a secure and reliable anchoring point for ropes, lines, and cables. Bollard has a longer service life in seawater, ultraviolet light and humid environments. The 316 Stainless Steel Boat Mooring Bollard Bit For Marine helps the rope to achieve a fixed effect when in use, We can provide a variety of sizes, choose according to the diameter of the anchor rope.

Product Parameter (Specification)

Product name	316 Stainless Steel Boat Mooring Bollard Bit For Marine
Specification available	Multiple sizes
Standards that follow to	ISO 9001, CE, TUV, CSS, SGS.
Samples available	Yes.
Packing method	Bubble bag+Wooden carton

Shandong Power Industry and Trade Co., Ltd.

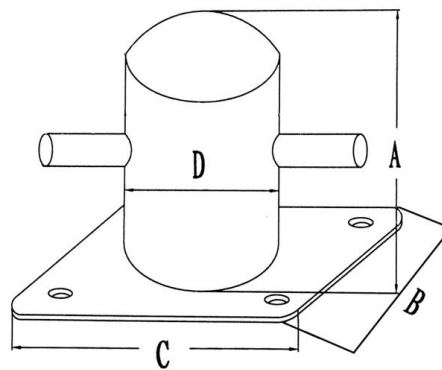
Address: Chengyang District, Qingdao, Shandong Province, China

Tel: +86-15865772126

+86-0532-83875707

E-mail: andy@hardwaremarine.com

Production lead time	10-15 days for a 20ft container, 20-25 days for a 40ft container.
Warranty time	Support returns and exchanges
Payment term	T/T
FOB loading port	Qingdao China



Code	A(mm)	B(mm)	C(mm)	D(mm)
PM952A	100	80	90	50
PM952B	120	90	120	60

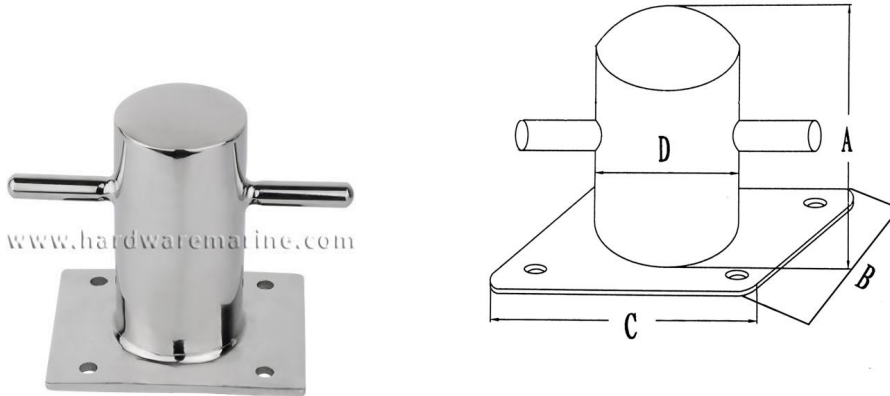
Shandong Power Industry and Trade Co., Ltd.

Address: Chengyang District, Qingdao, Shandong Province, China

Tel: [+86-15865772126](tel:+86-15865772126)

[+86-0532-83875707](tel:+86-0532-83875707)

E-mail: andy@hardwaremarine.com



Code	A(mm)	B(mm)	C(mm)	D(mm)
PM953A	125	97	122	60
PM953B	154	121	152	76

Product Feature And Application

The use of 316 Stainless Steel Boat Mooring Bollard Bit For Marine in marine applications dates back centuries, and the materials used have varied over time. The introduction of 316 Stainless Steel Boat Mooring Bollard Bit For Marine for ship mooring has greatly enhanced their durability and corrosion resistance. Historically, mooring posts were made of cast iron or wood. Due to their strength and availability, cast iron bollards were widely used during the Industrial Revolution in the 18th and 19th centuries. However, cast iron bollards are prone to rust and degradation and require regular maintenance. In the mid-20th century, steel became a popular material for mooring posts. 316 Stainless Steel Boat Mooring Bollard Bit For Marine offer greater strength and durability than cast iron, but they are still susceptible to rust in marine environments. The development and widespread use of stainless steel in various industries has paved the way for the introduction of stainless steel marine mooring posts. Stainless steel is an alloy made primarily of iron, chromium, and other elements such as nickel and molybdenum. The addition of these elements gives stainless steel its corrosion-resistant properties. 316 Stainless Steel Boat Mooring Bollard Bit For Marine are designed to withstand harsh marine environments, including exposure to salt water and constant

Shandong Power Industry and Trade Co., Ltd.

Address: Chengyang District, Qingdao, Shandong Province, China

Tel: [+86-15865772126](tel:+86-15865772126)

[+86-0532-83875707](tel:+86-0532-83875707)

E-mail: andy@hardwaremarine.com

moisture. Boat Bollard corrosion resistance greatly reduces maintenance requirements, making them the first choice for many marinas and boat owners. There are several advantages to using 316 Stainless Steel Boat Mooring Bollard Bit For Marine in marine and marine applications. These bollards are extremely durable and ensure safe mooring and withstand heavy loads. They also exhibit excellent corrosion resistance, maintaining their appearance and structural integrity over time. In addition to their functional benefits, stainless steel boat mooring posts add aesthetic appeal to boats and docks. Stainless steel has a sleek, modern look that enhances the overall appearance of the container. Their introduction greatly improves the durability, performance and aesthetics of mooring systems, providing boat owners and marinas alike with a reliable and long-lasting solution.

Product Details

316 Stainless Steel Boat Mooring Bollard Bit For Marine have several strengths that make them a popular choice for marine applications. Here are some key strengths:

Corrosion resistance: Stainless steel is highly resistant to corrosion, making it suitable for use in marine environments. 316 Stainless Steel Boat Mooring Bollard Bit For Marine can withstand exposure to saltwater, moisture, and varying weather conditions without rusting or deteriorating.

Durability: Stainless steel is a strong and robust material, capable of withstanding heavy loads and impacts. It is designed to withstand the forces involved in mooring operations, including the tension and strain exerted by boats during docking and berthing.

Low maintenance: Stainless steel requires minimal maintenance as it does not corrode or tarnish easily. Regular cleaning and occasional polishing are typically sufficient to maintain its appearance and functionality.

Longevity: 316 Stainless Steel Boat Mooring Bollard Bit For Marine have a long lifespan due to their corrosion resistance and durability. This makes them a cost-effective choice over time as they can withstand the harsh marine environment without needing frequent replacements.

Aesthetic appeal: Stainless steel has a sleek and modern look that can enhance the appearance of boats and marinas. It can be polished to a high

Shandong Power Industry and Trade Co., Ltd.

Address: Chengyang District, Qingdao, Shandong Province, China

Tel: [+86-15865772126](tel:+86-15865772126)

[+86-0532-83875707](tel:+86-0532-83875707)

E-mail: andy@hardwaremarine.com

shine or finished with different coatings for a customized appearance.

Overall, stainless steel boat mooring bollards offer strength, durability, corrosion resistance, and low maintenance requirements, making them well-suited for long-term and reliable mooring applications in marine environments..

Loading & Shipment

Thanks to superior quality, we have been establishing a close & long business partner relationship with the customers from more than 30 countries, and we've gotten so many positive feedback regarding the quality.



Shandong Power Industry and Trade Co., Ltd.

Address: Chengyang District, Qingdao, Shandong Province, China

Tel: [+86-15865772126](tel:+86-15865772126)

[+86-0532-83875707](tel:+86-0532-83875707)

E-mail: andy@hardwaremarine.com

Contact us

Contact us freely for any inquiries on our products by following:

Email: andy@hardwaremarine.com

Mob: +86-15865772126

24 hours on line contact:

WhatsApp / wechat: +86-15865772126

If you have any questions can contact us

Shandong Power Industry and Trade Co., Ltd.

Address: Chengyang District, Qingdao, Shandong Province, China

Tel: [+86-15865772126](tel:+86-15865772126)

[+86-0532-83875707](tel:+86-0532-83875707)

E-mail: andy@hardwaremarine.com